

● VP & UD Bushes



Features

Novibra® type VP and Metalastik® type UD consist of two concentric sleeves with rubber securely bonded between them. Designed to accommodate torsional movements and axial and radial loads. The rubber is prestressed to give maximum dynamic strength and durability.

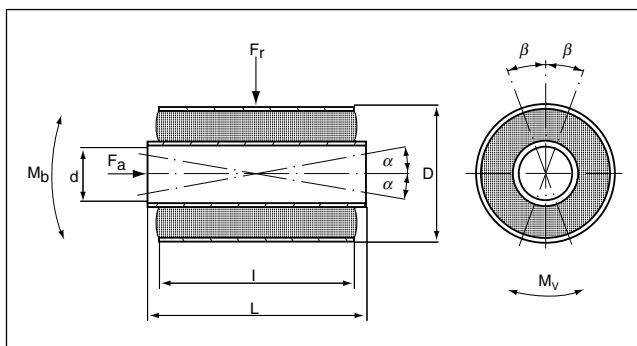
The bonded rubber takes up the full movement. Lubrication or other bearing maintenance is not required. The bush has excellent sound and vibration isolation characteristics, enabling structures fitted with Novibra® type VP and Metalastik® type UD sleeves to be silent and vibration free.

Novibra® type VP and Metalastik® type UD Bushes

For vehicle suspension, pivot arms and all types of mechanical linkage, permits oscillating movement through the deflection of rubber in shear. Suitable to replace roller bearings where small motions are required (up to 20 degrees). Reduces shock loads and noise transmission in structures.

Applications

- Vehicle suspension arms
- Vibratory feeders
- Conveyor tracks
- Mechanical linkages
- Pivot bearings



Designation Type	Part no.	Dimensions in mm				Torsion			Conical		Axial load		Radial load		Weight (kg)	
		d	D	L	l	Max Mv Nm/ degr.	Max beta degr.	Stiffness Nm/ degr.	Max Mb Nm	Max alpha degr.	Stiffness Nm/ degr.	Max Fa N	Stiffness N/mm	Max Fr N		Stiffness N/mm
VP 10/2525	10-00021-01	10	25	25	20	5.0	15	0.3	6.0	8	0.7	750	170	2300	2000	0.04
VP 10/2540	10-00022-01	10	25	40	35	6.0	15	0.4	38.0	8	4.8	1500	380	3800	2350	0.06
VP 15/3530	10-00023-01	15	35	30	25	9.0	15	0.6	12.0	8	1.5	1500	220	3500	3000	0.08
VP 15/3550	10-00024-01	15	35	50	45	15.0	15	1.0	120.0	8	15.0	2500	520	6000	6500	0.12
VP 20/4540	10-00025-01	20	45	40	35	24.0	15	1.6	45.0	8	5.6	2600	330	6800	4000	0.16
VP 20/4575	10-00026-01	20	45	75	70	48.0	15	3.2	365.0	8	46.0	5500	820	13500	8000	0.32
VP 25/5045	10-00027-01	25	50	45	40	46.0	14	3.3	96.0	8	12.0	3800	450	9000	4500	0.21
VP 25/5085	10-00028-01	25	50	85	80	69.0	14	4.9	730.0	8	92.0	7500	960	18000	10500	0.42
VP 30/6055	10-00029-01	30	60	55	45	78.0	14	5.6	135.0	8	17.0	5100	530	12000	5000	0.34
VP 35/6560	10-00031-01	35	65	60	50	93.0	12	7.7	180.0	6	23.0	6600	720	16000	8500	0.43
VP 40/7065	10-00033-01	40	70	65	55	138.0	12	11.5	290.0	7	41.0	8300	870	20500	17000	0.56
VP 45/7570	10-00035-01	45	75	70	60	240.0	12	20.0	320.0	7	45.0	10000	1100	24000	20000	0.67
VP 50/8075	10-00037-01	50	80	75	65	275.0	11	25.0	700.0	7	100.0	12000	1350	28500	30000	0.77

Type UD bushes	Part no.	Dimensions in mm				Torsion		Axial		Radial		Weight (kg)
		d	D	l	L	Stiffness Nm/rad	±beta degrees	Stiffness N/mm	Max defl. mm	Stiffness N/mm	Max load kN	
13-1232-60	10-00250-01	8	20	15	17	10	13	205	1.3	2000	0.7	0.02
13-1230-55	10-00249-01	10	24	15	18	14	13	180	1.7	1300	0.5	0.02
13-1782-60	10-00277-01	12.7	38.2	25.4	31.8	30	22	220	3.3	1200	1.1	0.08
13-1657-60	10-00271-01	12.7	38.2	44.5	50.8	42	22	330	3.3	2100	2.2	0.14
13-0785-60	10-00215-01	14.3	30.2	44.5	50.8	86	13	640	1.9	11000	6	0.11
13-0797-60	10-00218-01	15.9	33.4	60.3	65	140	13	960	2.1	18800	9.5	0.16
13-1004-60	10-00235-01	15.9	47.7	44.5	50.8	74	20	330	4.2	2500	2.5	0.20
13-1698-60	10-00276-01	35	71.2	41.1	45	395	14	550	5.1	3800	4.5	0.39